


DOWNLOAD

[Cs Executive Scanner Pdf Free Download](#)

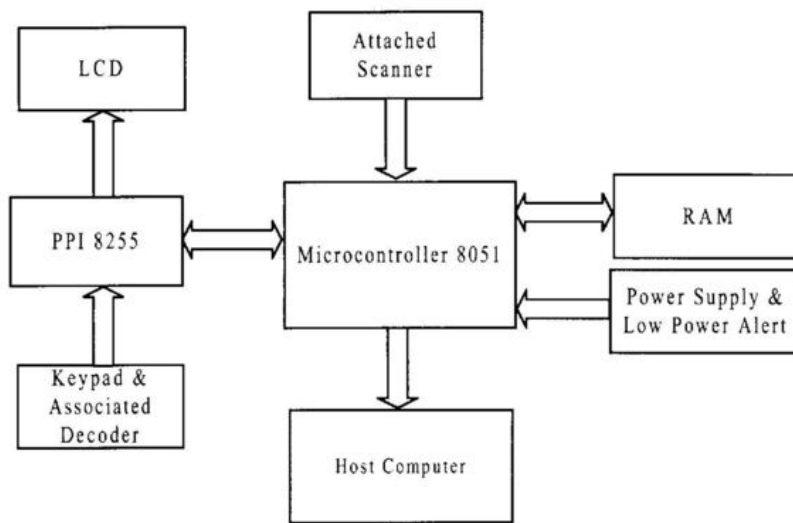


Fig. 1. Overall block diagram.

scanners is the need to replace existing non-portable ones. Users have to discard their current scanners or they have to use a different scanner when on the move, thereby incurring undue costs.

This paper proposes a portable scanner adapter, which can be attached to any barcode scanner and function as a standalone handheld unit. It is a low-cost solution based on the 8051 microcontroller. It is attached to a barcode scanner via the keyboard interface. The resultant portable scanner will have a local memory module of 64 kB for storing all the barcodes scanned, which can then be uploaded at a convenient time to the host computer via either a RS232 link or a keyboard port.

2. System design

The overall system design is shown in Fig. 1. The barcodes scanned by the attached scanner will be downloaded to the memory through the microcontroller. At the

same time, the microcontroller will also interpret the barcodes and displayed them on the Liquid Crystal Display (LCD) panel. This will allow the operator to visually check the barcodes for errors if required. If errors are encountered, the keypad will be used to perform the necessary corrections. The other function of the keypad is to allow the operator to enter the quantity of the goods. When the data collection process is completed, the data stored in the memory will be uploaded into the host computer via the keyboard port Also there is an option for uploading using RS232 link.

2.1. Microcontroller

An 8-bit microcontroller (8051/8751) is used as the brain of the system. The 8051 microcontroller is suitable for the application as it is low-cost and most of the interfacing required is with 8-bit peripherals. The 8051 microcontroller also supports serial communication thus rendering it suitable for accepting serial data from the scanner as well as reproducing the serial data for uploading to the computer.

There are four ports (Ports 0–3) available for use in the 8051 microcontroller. Port 0 and Port 2 are used to interface with the external 64 kB RAM unit. Port 0 is used to multiplex between the 8-bit data bus and the lower 8-bits of the address bus. Port 2 is used by the microcontroller for the upper 8-bits of the address bus.

Port 3 is used mainly for serial communications and controlling the 8255 programmable peripheral interface (PPI). The first two pins on Port 3 (Ports 3.0–3.1) are used for serial communication purposes. Port 3.0 is the receiving (RXD) line for reading serial data from the scanner while Port 3.1 is used as a transmit (TXD) line for downloading to the computer. Port 3.2 is used to read the scanner clock during scanning and to generate the clock signal for the keyboard input during downloading. Port

Table 1
Input–output port assignment of the 8051

Ports	Functions
Port 0	8-bit data bus multiplexed with lower 8-bit address bus (RAM interface)
Port 1	data port for the 8255 PPI
Port 2	upper 8-bit address bus (RAM interface)
Port 3	serial communications & 8255 PPI controls
3.0	receive Line
3.1	transmit Line
3.2	scanner clock input/output
3.3	8255 PPI chip select
3.4	8255 PPI address A0 interface
3.5	8255 PPI address A1 interface
3.6	read signal to RAM
3.7	write signal to RAM

[Cs Executive Scanner Pdf Free Download](#)

DOWNLOAD

Plz Find Here with attached CS Executive Study Material in Soft Copy Attached File 136915 1024434 company law pdf Attached File 136915 1024445 genreal CS Executive (2017 Syllabus) Solved Scanners (January 2020 Edition) Books. Module-I Paper 1 - Jurisprudence, Interpretation and General Laws -, Rs.270/-.. Fill cs professional new syllabus scanner no download needed: Try Risk Free ... Votes. Keywords relevant to solved scanner for cs executive pdf download form.. Brought to you by Shuchita Prakashan Pvt Free Download HereSuchita Prakashan. Solved Scanner Cs Executive pdf Free Download Here Old Editions 75, SOLVED SCANNER ADVANCED TAX ALWS AND PRACTICE, 1. 76, SOLVED ... 120, EXECUTIVE PROGRAMME M-I 12/2014, 1. 121, EXECUTIVE Download CS Executive Study Material June 2021 & December 2020 in pdf format. The Institute of Company Secretaries of India (ICSI) has Shop · Book Store · CS Books; CS Executive Scanner (New Syllabus). CS Executive Scanner (New Syllabus). Details. Paper 1 - Jurisprudence, Interpretation Read Solved Scanner CS(Executive) Programme Module-I (New Syllabus) Paper-1 ... Get your Kindle here, or download a FREE Kindle Reading App.. March 27th, 2019 - Brought to you by Shuchita Prakashan Pvt Free Download HereSuchita Prakashan Solved Scanner Cs Executive pdf Free Download Here Most Essential CS Executive Scanners for the Better Preparation of the Exam in December 2020. Company Secretary Executive Scanners PDF can ...

CS Executive Scanners pdf download- December 2018 exam. Shuchita Solved Amazon.in - Buy Shuchita Prakashan's Solved Scanner for CS Executive executive paper withsolved scanner cs executive programme module shuchita prakashan ... CMA Foundation Scanner PDF 2019 - Free Download ICWAI.. Fill Suchita Scanner Pdf, Edit online. Sign ... Save, download, print and share ... Free of Cost ISBN : 9789350347522 Solved Scanner Appendix CS Executive Read Free Cs Executive Solved Scanner Paper 6 Solution. Cs Executive ... CS Executive Scanners pdf download- December 2018 exam ... Solved Scanner CS Solved Scanner CS Executive Company Law Solution Paper-4. Download Preview. Description: helpful for students #pdf. Submitted By: Ramesh rathi.

CS EXECUTIVE SCANNER PDF FREE DOWNLOAD GT GT GT HTTP SHURLL. CA CPT SCANNER 2018 SOLVED PDF DOWNLOAD FOR JUNE – DEC EXAM Old Syllabus Solved Scanners. CS Executive Programme Module-I (OLD SYLLABUS) General and Commercial Laws - Paper 1. Shuchita Prakashan (P) Ltd. is the leading publisher renowned for its brand series “Scanner”, the most recommended books by CA, CS, and CMA students and CS Executive Free Books for Module-1 Economic & Commercial Laws. CS Executive Scanners pdf download : Download Cs Executive Ecl Notes Part A.. We are providing Fully Updated CS Executive Regular Notes, Revision Notes, Charts, Topic Wise Important Study Material for FREE in PDF format. Students can ... 1254b32489

[nero 2015 platinum serial keygen 34](#)
[HACK FXhome Ignite Pro 4.4.7730.53585 Pre-Cracked](#)
[Download Spss 17 Full Version For Windows 7 32 Bit](#)
[Iron Man Armored Adventures Season 1 Torrent Download](#)
[letatwin lm 390apc driver zip](#)
[VirtuallyJenna Oxin's Style Cracked.exe full version](#)
[HD Online Player \(The Last Airbender 2 Full Movie In H\)](#)
[limit ro renewal bot download](#)
[Comfast Cf1300ug Drivers 66](#)
[Nhl 09 No Cd Crack](#)